



COMMERCIAL VEHICLE AUCTIONS LTD
THE UK'S MOST ESTABLISHED COMMERCIAL VEHICLE AUCTIONEERS

Carr Hill Industrial Estate
Doncaster
DN4 8DE

01302 732600 | cva.noreply@cva-auctions.co.uk

VEHICLE INSPECTION REPORT

VO22FCX

Maxus Deliver 9

Inspection

Serious Damage? No

Vehicle

VAT Plus VAT

V5 Buyer To Apply

Details

Reg. date 16/03/2022

Year 2022

Mileage 63,680 Miles
Warranted

Fuel Type Diesel

Colour WHITE

VIN LSH14J7C7MA127990

Body Style Panel Van SWB

MOT Due Expired

CAP Clean £7,750.00

CAP Average £7,050.00

CAP Below £5,925.00

Gearbox MANUAL

Gears 6

CRACK IN WINDSCREEN SIDE LOAD DOOR, E/MIRRORS, AD-BLUE ENGINE NOISE WHEN IDLE

Tyres

NSF

NSR

OSF

OSR

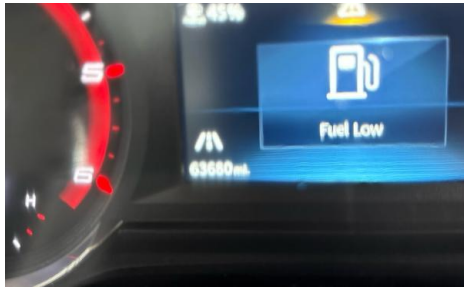
Spare

Features

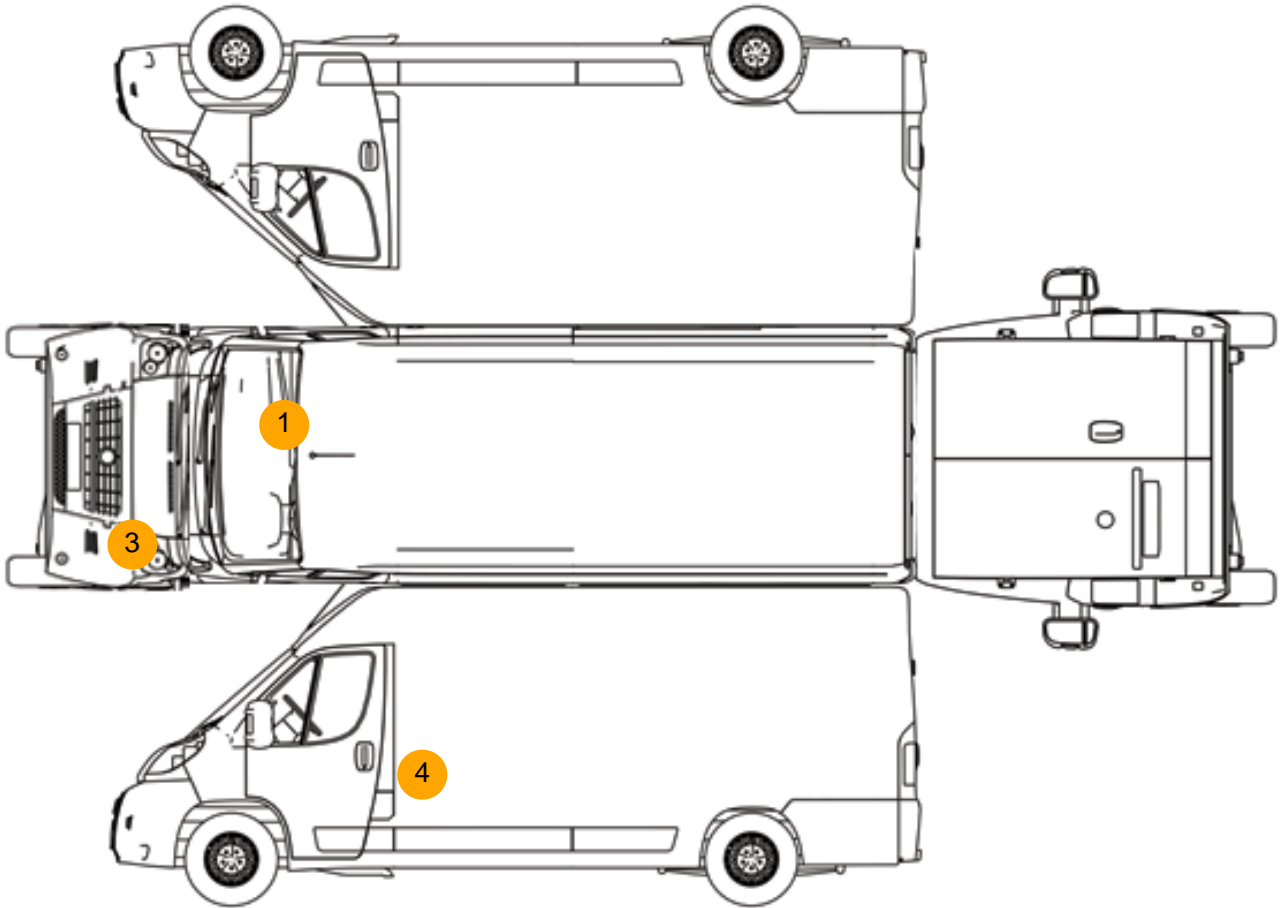
- Bluetooth connection
- Digital radio
- Passenger airbag
- Cruise control
- Air conditioning
- Central locking
- Rear parking sensor
- Front electric windows
- Cloth seat trim
- Auxiliary input socket
- Drivers airbag

Photos





Condition Check



Damage Photos



1: Screen Front
Cracked
Replace



2: Door nsf
Chipped
Over 5mm



3: Panel Front
Chipped
Multiple Chips

4: Door osr
Poor Previous Repair
Poor Colour

Interior

Carpet Condition
Seat Condition

OK
Average

Upholstery Condition
Odour

OK
No

| | | | |
|--------------------------|----|--|----|
| Engine Runs | OK | Gearbox 1st and Reverse Test | OK |
| Brakes | OK | Clutch Slip Test from Static | OK |
| Turbo Boosting | OK | Gearbox Static Gear Selection (engine running) | OK |
| Parking Brake | OK | No Excessive Smoking | OK |
| EML light illuminated | OK | Oil warning light illuminated | OK |
| Airbag light illuminated | OK | DPF light illuminated | OK |
| ABS light illuminated | OK | Service indicator light illuminated | OK |
| Windows | OK | Radio | OK |
| | | Steering | OK |